



VIPP901
KITCHEN TAP

Flow:

Bar:	1	3	5
l/m	6	10,2	11,4

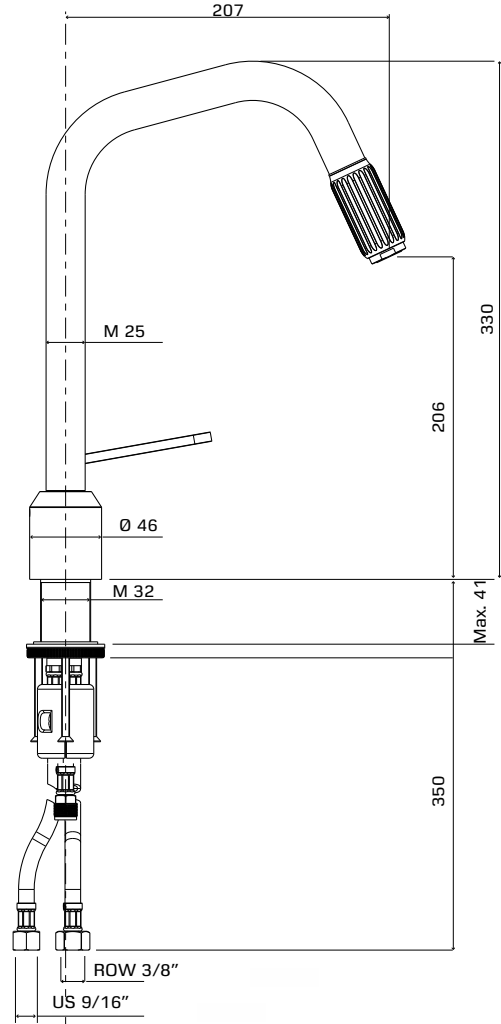
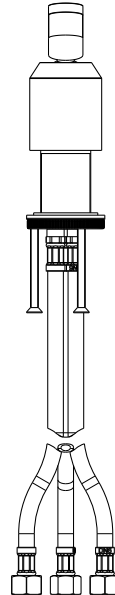
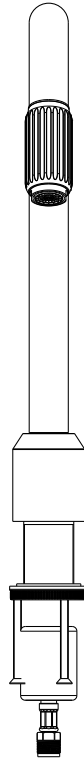


GODKENDT
TIL DRIKKEVAND

VA: An assessment that assure the product fulfil the Danish requirements defined in the Danish Building Regulation as well as related norms and guidelines.

NSF: Certification to NSF/ANSI Standard 61 ensures that the product meets theregulatory requirements for the U.S. and Canada, and it can often meet or fulfill the testing requirements for many other countries as well

GDV: Approval of building components that come into contact with drinking water. Based on Danish legislation.

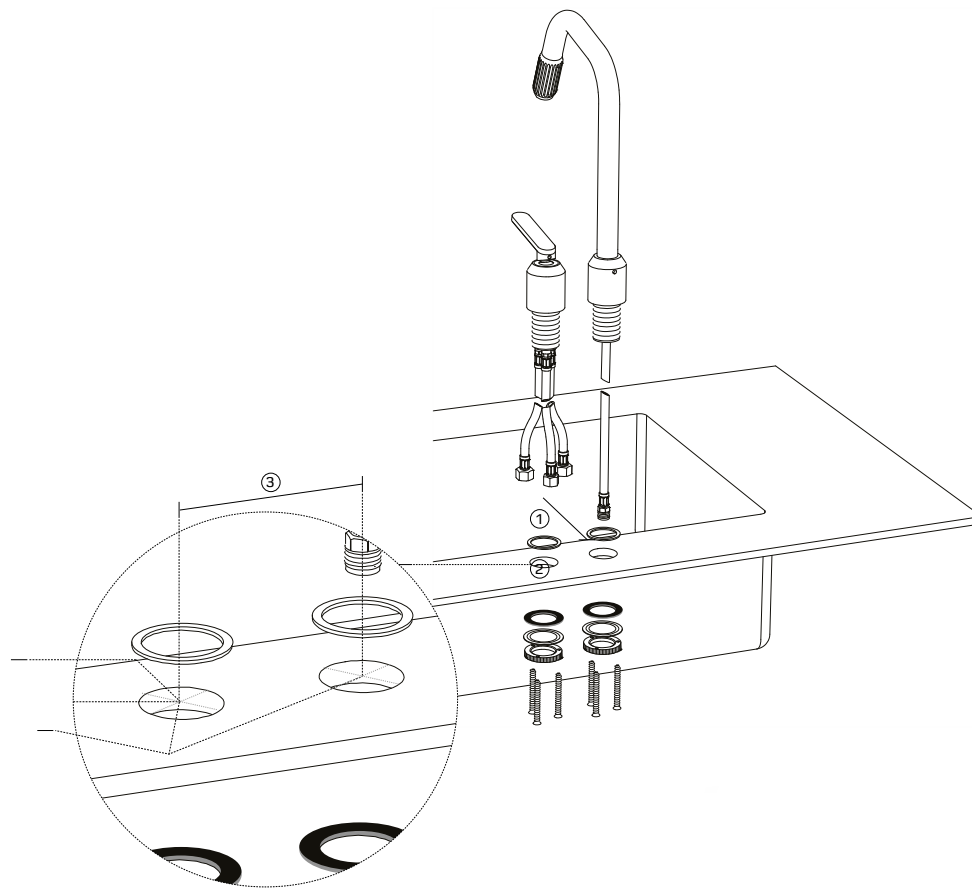


VIPP901
KITCHEN TAP

vipp

Installation instructions

- | | |
|-------|--------|
| ① | ② |
| 50 mm | ø35 mm |
| ③ | ④ |
| 80 mm | 350 mm |



VIPP901
KITCHEN TAP

vipp

-
- ⑤ Cold water ROW 3/8" US 9/16"
⑥ Hot water ROW 3/8" US 9/16"

